

AYVAZ BRONZE CHECK VALVE

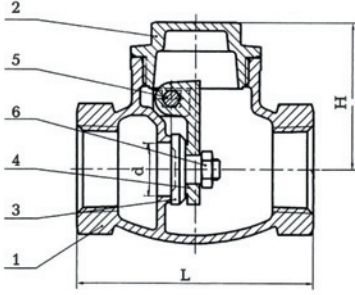
**Design:**

- Renewable Seat Disc
- Screwed Cap
- Resistant to dezincification
- Seat relocating while the valve is in the line
- Threaded Ends

Features:

Suitable for hot or cold water and steam applications
Suitable for Oily media
PN 20 Pressure Rating
Max. working temperature: 170°C
Taper Pipe Thread EN ISO 7/1

AYVAZ BRONZE CHECK VALVE



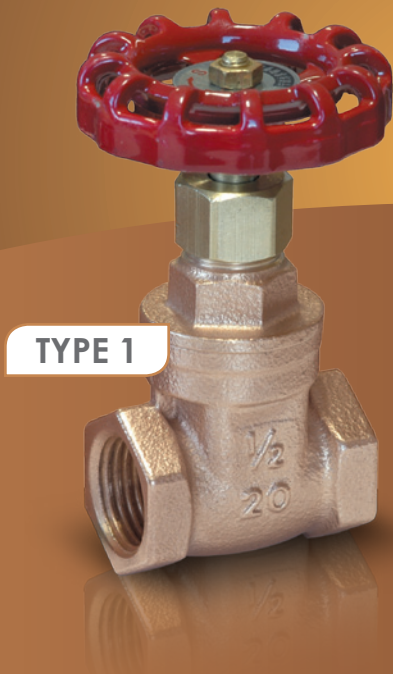
MATERIAL LIST		
Part Number	Part Name	Material
1	Body	Bronze CC491K
2	Cap	Bronze CC491K
3	Disc	Bronze CC491K
4	Hinge	Brass CW617N
5	Hinge Pin	Stainless Steel 2Cr13
6	Hinge Nut	Brass CW617N

DIMENSIONS			
DN	d	L	H
15	13	58	37
20	19	66	43
25	25	76	49
32	32	88	57,5
40	39	96	63
50	50	112	72

HEAD OFFICE - FACTORY

Atatürk Organize Sanayi Bölgesi Mustafa İnan Cad. No: 36 Hadımköy / İstanbul
Tel: +90 212 771 01 45 (pbx) | Fax: +90 212 771 47 27

AYVAZ BRONZE GATE VALVE (NON-RISING STEM)



Design:

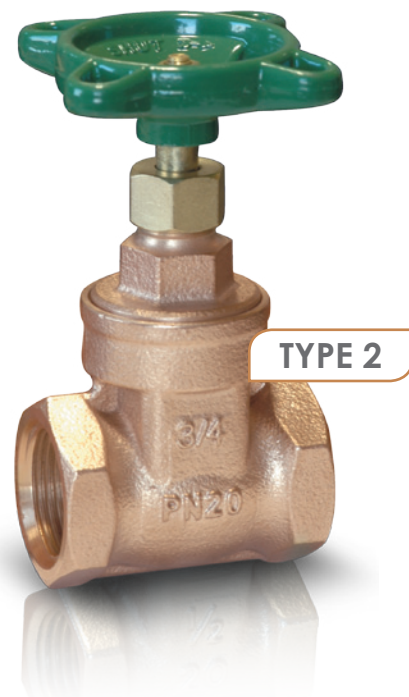
- Non-Rising Stem
- Full Port
- Solid Bronze Disc
- Screwed Bonnet
- Resistant to dezincification
- Threaded Ends
- Back Seat Protection

Features:

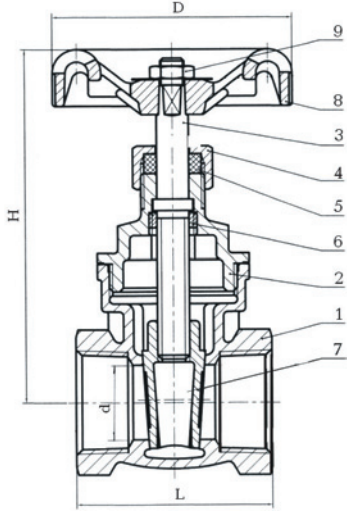
Suitable for hot or cold water and steam applications
Suitable for Oily media
PN 20 Pressure Rating
Max. working temperature: 170°C
Taper Pipe Thread EN ISO 7/1

Standard:

MSS SP-80 "Bronze Gate, Globe, Angle & Check Valves"



AYVAZ BRONZE GATE VALVE (NON-RISING STEM)



MATERIAL LIST		
Part Number	Part Name	Material
1	Body	Bronze CC491K
2	Bonnet	Bronze CC491K
3	Stem	DZR Brass CW602N
4	Packing Nut	Brass CW617N
5	Packing	P.T.F.E
6	Stem Bush	DZR Brass CW602N
7	Disc	Bronze CC491K
8	Handwheel	Aluminium
9	Handwheel Nut	Brass CW614N

DIMENSIONS									
TYPE 1					TYPE 2				
DN	d	L	H	D	DN	d	L	H	D
15	13	43	78	52	15	12,7	49,5	74	52
20	19	49	92	60	20	19,1	53,5	85	52
25	25	54	103	60	25	25,4	62	106	70
32	32	62	116	70	32	31,8	70	113	70
40	38	65	133	78	40	38,2	77	132	92
50	50	75	156	92	50	50,9	87	155	92,5
65	63	87	190	100					
80	76	105	215	110					
100	100	124	258	130					

HEAD OFFICE - FACTORY

Atatürk Organize Sanayi Bölgesi Mustafa İnan Cad. No: 36 Hadımköy / İstanbul
Tel: +90 212 771 01 45 (pbx) | Fax: +90 212 771 47 27



SK 120

**PIRİNÇ KÜRESEL VANA
(Su ve hava için)**

**BRASS BALL VALVE
(For water and air)**

Su ve hava tesisatları için dizayn edilmiş, TSE'ye uygun pirinç gövdeli küresel vana.

Özellikler:

- * Çalışma basıncı: 16 bar
- * Test basıncı: 24 bar
- * Çalışma sıcaklığı: 120°C
- * Bağlantı tipi: Dişli

Designed for water and air pipelines according to TSE.

Specifications:

- * Working pressure: 16 bar
- * Test pressure: 24 bar
- * Working temperature: 120°C
- * End types: Threaded

ÇALIŞMA ŞARTLARI / OPERATING CONDITIONS

Max.Basınç / Max. Allowable Pressure PMA (bar)	24
Max.Sıcaklık / Max. Allowable Temperature TMA (°C)	140
Max.Çalışma Basıncı / Max. Operating Pressure PMO (bar)	16
Max.Çalışma Sıcaklığı / Max. Operating Temperature TMO (°C)	120

AĞIRLIKLAR / WEIGHTS

Çaplar / Sizes	1/2"	3/4"	1"	1 1/4"	1 1/2"	2"
Ağırlıklar / Weights / gr	187	270	486	964	1350	2195

Uygulamalar / Typical Applications

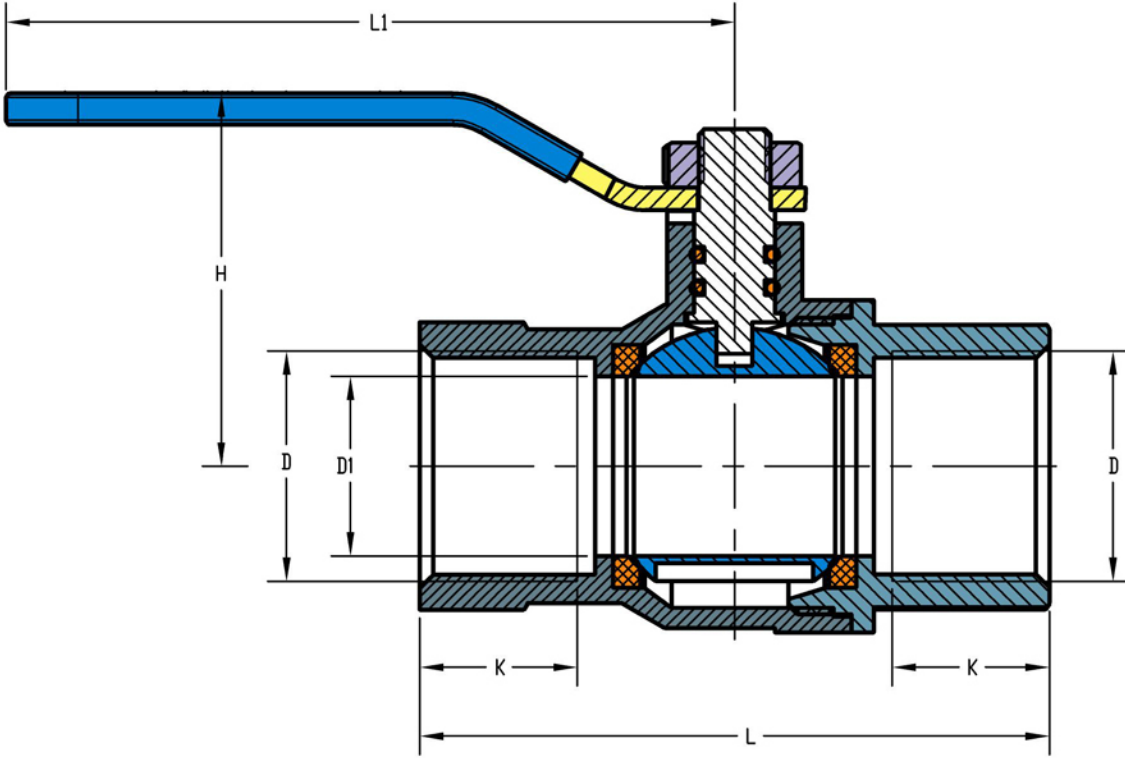
Su ve hava hatlarında kullanılır.
For water and air lines.

Montaj / Installation

Montaj her pozisyonda yapılır.
Installation is in all positions.

SK 120

PIRİNÇ KÜRESEL VANA (Su ve hava için) / BRASS BALL VALVE (For water and air)



MALZEMELER / MATERIALS

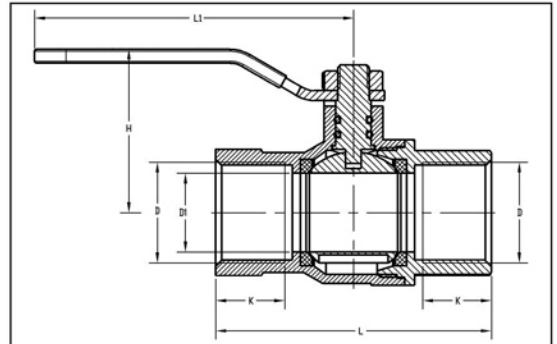
No	Parça adı / Part name	Malzeme / Material
1	Kol / Handle	Karbon çelik / Carbon steel
2	Gövde / Body	Ms 58
3	Yatak / Seat	PTFE
4	Salmastra / Gland	Paslanmaz çelik / Stainless steel
5	Salmastra somunu / Gland	Karbon çelik / Carbon steel
6	Yatak / Seat	PTFE
7	Küre / Ball	Paslanmaz çelik / Stainless steel
8	Kapak / Cover	Ms 58

* İsteğe bağlı olarak paslanmaz çelik küreli yapılabilir.

* Stainless steel ball is available on request

BOYUTLAR / DIMENSIONS

	D	D1	H	K	L	L1	E
DN 50	Rp 2"	Ø 50	83	28	130	191	66
DN 40	Rp 1 1/2"	Ø 39.5	73	26	111	156,5	53.5
DN 32	Rp 1 1/4"	Ø 32	68	24	100	156,5	47.5
DN 25	Rp 1"	Ø 25	48	20	83,5	97,5	38.5
DN 20	Rp 3/4"	Ø 20	41,5	17,5	70	80,5	30.5
DN 15	Rp 1/2"	Ø 14.8	38	15	60	80,5	24.5



AYVAZ HACI AYVAZ ENDÜSTRİYEL MAMÜLLER
SANAYİ VE TİCARET A.Ş.

www.ayvaz.com

Atatürk Sanayi Bölgesi, İstasyon Mah. Mustafa İnan Cad. No: 36

34860 Hadımköy - İSTANBUL - TÜRKİYE

Tel : 90(212) 771 01 45 (pbx)

Fax : 90(212) 771 37 34 - 90(212) 771 25 60, e-mail : info @ ayvaz.com.tr

DISTRIBUTOR

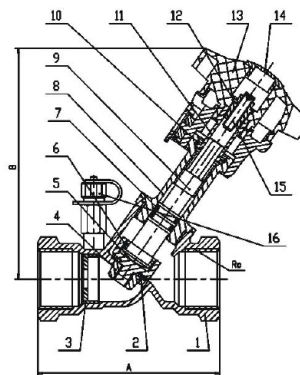
- ◆ Pressure Rating:PN25
- ◆ Working Medium:Water
- ◆ Working Temperature:t≤120°C
- ◆ Taper Pipe Thread To ISO7
- ◆ Comply with BS7350

Specification

The Fixed Orifice Double Regulating Valve offers an accuracy of $\pm 5\%$ on all settings, for precise flow regulation. They are Y-pattern globe valves with characterised throttling disc tending towards equal percent- age performance. Fixed Orifice Double regulating feature allows valve opening to be set with an Allen key. Operation of the valve is by means of the Microset hand wheel.

Application

In multiple unit systems, the 951 has sufficient authority to give effective regulation over the range of flows covered by matching flow measurement devicesalves.



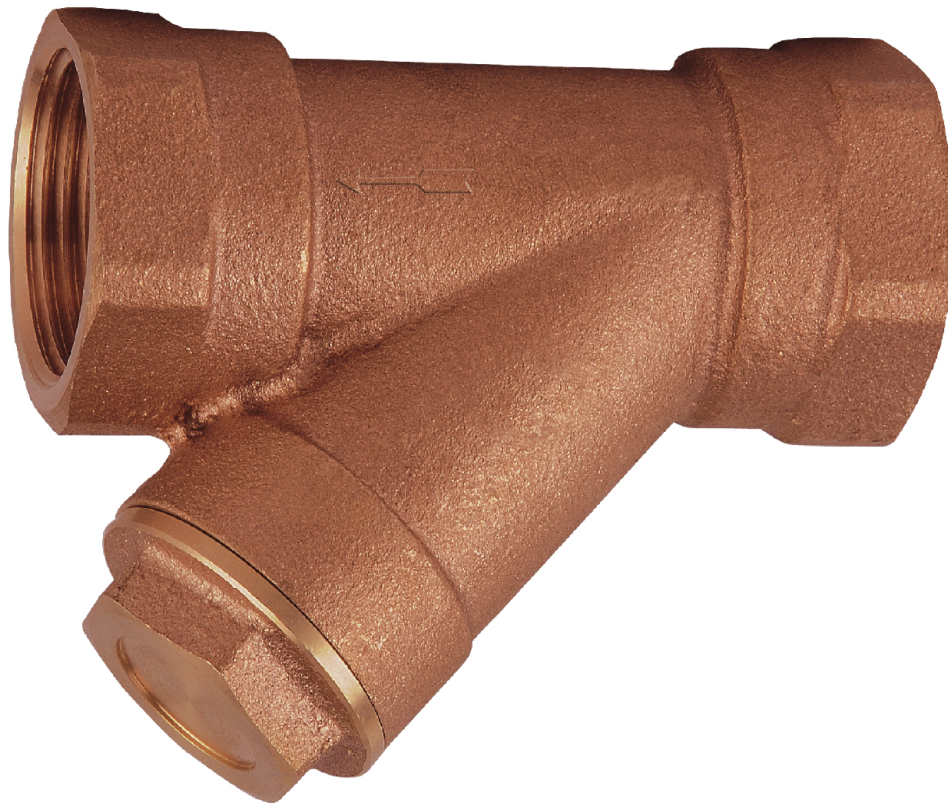
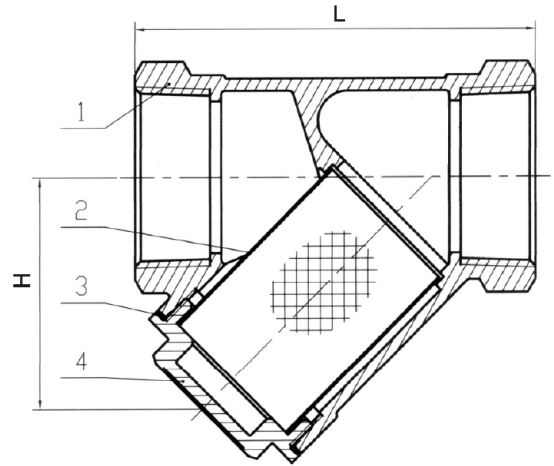
Bill of Materials

Sequence	Description	Material	Sizes
1	Body	Bronze CC491K	All
2	Disc Face	P.T.F.E	1" -2"
2	Disc Face	DZR Brass CW602N	1/2" - 3/4"
3	Orifice Plate	DZR Brass CW602N	All
4	Nut	DZR Brass CW602N	All
5	Disc	DZR Brass CW602N	All
6	Disc Retaining Ring	DZR Brass CW602N	All
7	O Ring	N.B.R	All
8	Bonnet	DZR BRASS CW602N	1/2" -1 1/4"
8	Bonnet	Bronze CC491K	1 1/2" -2"
9	Stem	DZR BRASS CW602N	All
10	Retainer Ring	Stainless Steel 304	All
11	Sleeve	Brass CW617N	All
12	Screw	Brass CW614N	All
13	Handwheel	PA	All
14	Cap	PA	All
15	Screw	Stainless Steel 304	All
16	Test Points	DZR BRASS CW602N	All

Dimensions & Coeffients

DN	INCH	A	B	Flow (kv)	Kvs
15	1/2"	87	105	1.72	2.2
20	3/4"	96	106	2.97	4.6
25	1"	100	127	4.75	8.5
32	1 1/4"	114	128	10.25	16.7
40	1 1/2"	125	143	16.83	26.1
50	2"	146	144	27.26	43.2

- ◆ Pressure Rating: PN20
- ◆ Working Medium: Water, Oil, Gas
- ◆ Working Temperature: $t \leq 170^{\circ}\text{C}$
- ◆ Taper Pipe Thread To ISO7

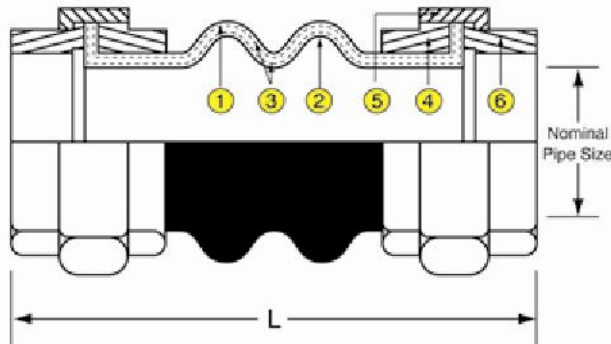


Bill of Materials

Sequence	Description	Material	Sizes
1	Body	Bronze CC491K	All
2	Screen	Stainless Steel Type304	All
3	Gasket	P.T.F.E	All
4	Cap	Bronze CC491K	All

Dimensions

DN	INCH	CM ²	L	H
15	½"	60	58	33
20	¾"	60	70	41
25	1"	60	88	49
32	1¼"	28	96	56
40	1½"	28	107	62
50	2"	28	126	80



S/NO	PART NAME	MATERIAL
1	Body (Outer Layer)	Special Synthetic Rubber
2	Body (Inner Layer)	Special Synthetic Rubber
3	Reinforcing Fabric	Nylon Fabric
4	Union Flange	Malleable Iron (Galv'd)
5	Union Nut	Malleable Iron (Galv'd)
6	Union Screw	Malleable Iron (Galv'd)

Operating Pressure : 16 Bar
Operating Temperature : -10 to 80 Deg C
Vacuum Rating : 500 MMHG
***Applicable Fluids** : Water, Warm Water, Sea Water, Air & Weak Acid
Union : BSP & NPT Threaded

NOMINAL PIPE SIZE		NEUTRAL LENGTH L	AXIAL COMPR- SSION	AXIAL ELONG- ATION	LATERAL DEFLECTION	ANGULAR DEFLECTION
MM	INS	MM	MM	MM	+ OR - MM	+ OR - DEG
15	1/2	165	22	6	22	30
20	3/4	165	22	6	22	30
25	1	175	22	6	22	30
32	1 1/4	186	22	6	22	30
40	1 1/2	186	22	6	22	30
50	2	200	22	6	22	20
65	2 1/2	218	22	6	22	15
80	3	260	22	6	22	15

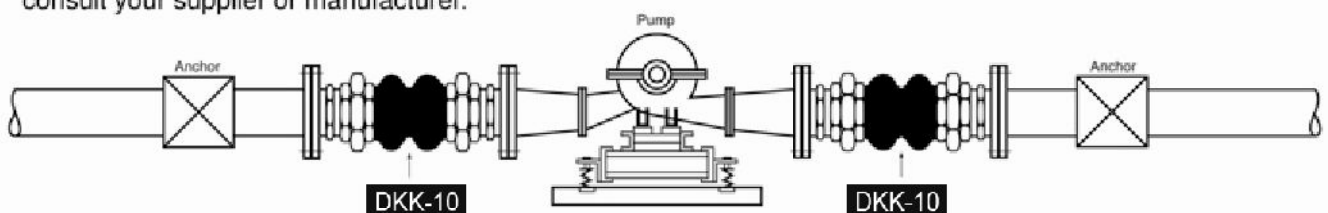
OPERATING TEMPERATURE AGAINST OPERATING PRESSURE

OPERATING TEMPERATURE °C	AMBIENT	50	60	70	80
MAXIMUM OPERATING PRESSURE(BAR)	16	9.6	7.5	6.2	5.0



NOTES

- Higher temperatures affect movement and pressure. As temperature increases, rated values must be reduced accordingly.
- Pressures shown are recommended "operating", test pressure is 1.5 times "operating".
- Vacuum rating is based on neutral installed length without external load. Products shall not be installed "elongated" on vacuum applications.
- Expansion joints may operate in pipelines or equipments carrying fluids at evaluated temperatures and pressures. Normal precautions shall be taken to make sure these parts are installed correctly and inspected regularly. Precautions shall be taken to protect personnel in the event of leakage or splash.
- For other kinds of applicable fluids, except the above, to which the rubber joint becomes applicable, please kindly consult your supplier or manufacturer.



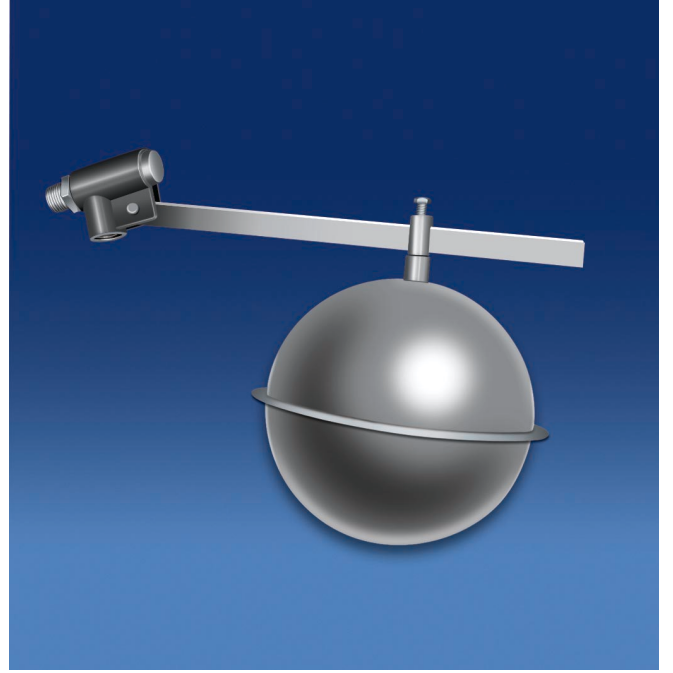
KTS 50

ŞAMANDIRALI VANA FLOAT VALVE

Özellikler / Main Features:

AYVAZ KTS 50 Şamandıralı Vana, her türlü sıvı tankında seviye kontrolü için kullanılır. Talep halinde şamandıra boyutu değiştirilebilir. Agresif sıvılar için talep halinde şamandıra teflon kaplanabilir.

Suitable for all kind of fluids to control the level value by the float. On request float size can be changed and for aggressive media float can be coated by teflon.



ÇALIŞMA ŞARTLARI / OPERATING CONDITIONS

Mak. Çalışma Sıcaklığı Max. Working Temp.	Max. Çalışma Basıncı Max. Working Pressure
90°C (194°F)	Standart/ Standard 6 bar (85 PSI) Büyük boy/ Larger float 8 bar (115 PSI)

ÇAP / DIA	ØDo (mm)	ØD (mm)
Büyük boy şamandıra Larger float	220	245
Standart şamandıra Standard float	150	156

Uygulamalar / Typical Applications:

Su ve nötr sıvılar.

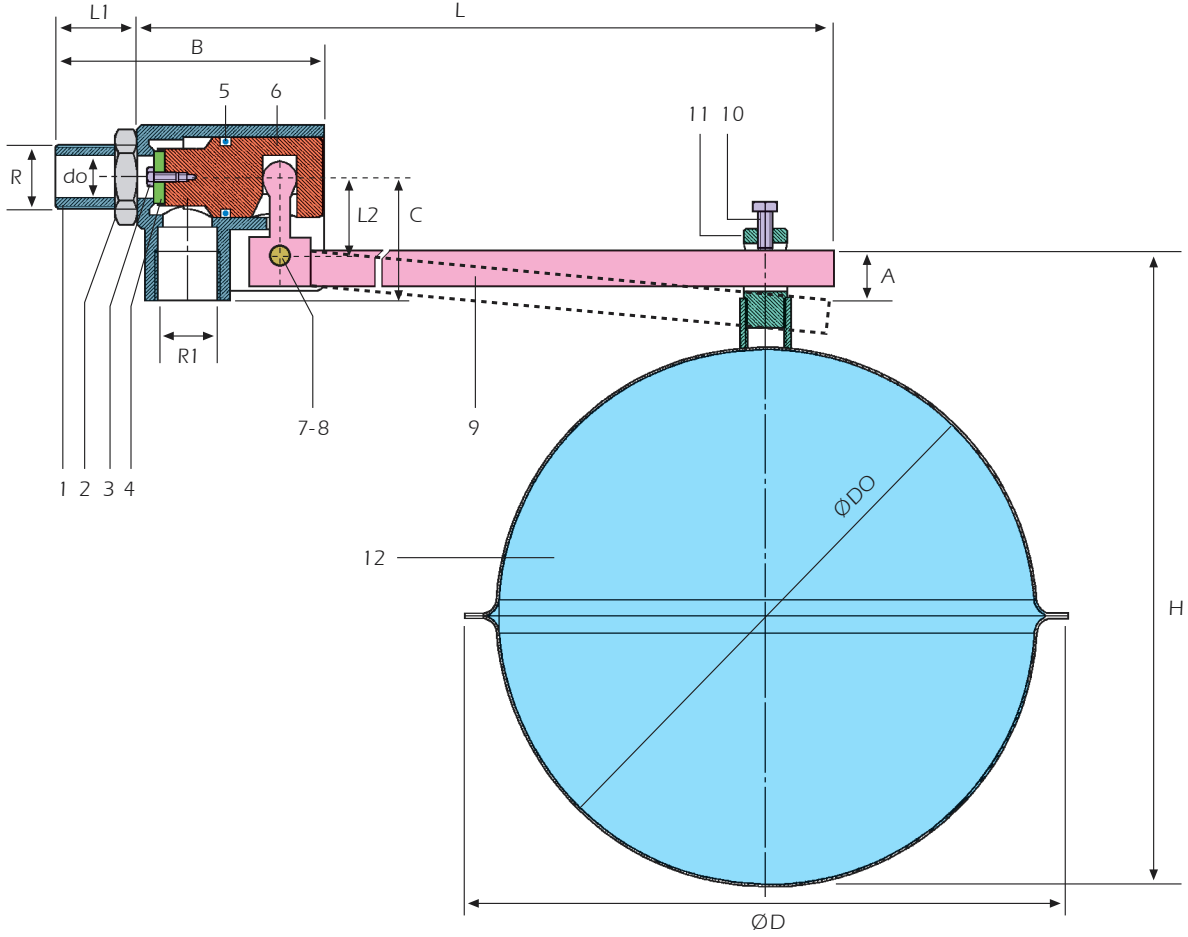
Water and neutral liquids.

Montaj / Installation:

Dikey veya yatay olarak montaj yapılabilir.

Can be installed either vertically or horizontally.

KTS 50 ŞAMANDIRALI VANA / FLOAT VALVE



YEDEK PARÇALAR / SPARE PARTS

1	Gövde / Body	Hassas döküm / Casting investment
2	Kondens tankı bağlantı somunu / Condensate tank connection nut	AISI 304
3	Altı köşe başlı civata / Hexagonal bolt	AISI 304
4	Kapama valfi sızdırmazlık contası / Closing valve sealing gasket	PTFE
5	Kapama valfi / Closing valve	AISI 304
6	O - ring / O - ring	EPDM
7	Altı köşe başlı somun / Hexagonal nut	AISI 304
8	Altı köşe başlı civata / Hexagonal bolt	AISI 304
9	Şamandıra hareket kolu / Float lever	AISI 304
10	Altı köşe başlı civata / Hexagonal bolt	AISI 304
11	Şamandıra bağlantı parçası / Float connection part	AISI 304
12	Kondens tankı şamandırası / Float for the condensate tank	AISI 316

BOYUTLAR / DIMENSIONS

	A	B	C	Ødo	ØDo	ØD	H	L	L1	L2	R	R1
Büyük şamandıra Larger float	96	109	50.5	17.5	220	245	259	460.5	24	32	3/4"	3/4"
Standart Standard float	96	109	50.5	17.5	150	156	259	460.5	24	32	3/4"	3/4"

Ölçüler mm'dir. / Dimensions in mm.